

Support Units Peripherals

Stoppers for Ball Screws / Precision Collars for Support Units

Can be used as Mechanical Stoppers for Ball Screws

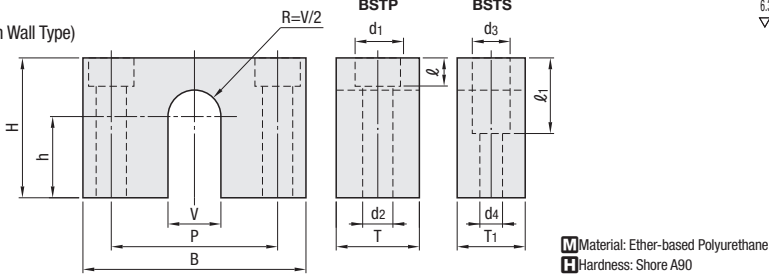
Stoppers for Ball Screws

BSTP

BSTS (Thin Wall Type)

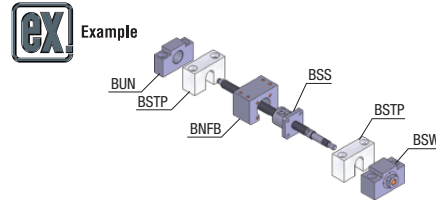


RoHS 10



Part Number		B	H	h	P	V	BSTP				BSTS				Unit Price
Type	No.						T	d ₁	d ₂	ℓ	T ₁	d ₃	d ₄	ℓ ₁	
BSTP BSTS (Thin Wall Type)	6	42	25	13	30	12	20	9.5	5.5	5.5	13	8	4.5	15	
	8	52	32	17	38	14	25	11	6.5	6.5	15	9.5	5.5	17	
	1022	70	40	22	52	16		25	14	9	9	18	11	6.5	23
	10		43	25											
	1223		41	23											
	12	43	25	18											
	1526	80	46	26	60	22	30	17	11	11	20	14	9	30	
	1528		48	28											
	15		50	30											
	20	95	58	30	75	28	30								
25	105	68	35	85	35	30									

Ordering Example
Part Number
BSTP15



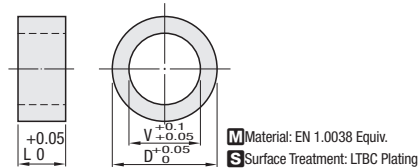
Precision Collars for Support Units

BUSC

As BUSC is slightly larger than the included collar in O.D., it is effective in bearing oil retention. The LTBC Plating used helps for low particle generation.



RoHS 10



Part Number		D	V	L	Unit Price
Type	No.				
BUSC	10	14.5	10	5.5	
	12	15.4	12	5.5	
	15	20.4	15	10	
	20	25.4	20	11	
25	31.3	25	14		

Ordering Example
Part Number
BUSC15

Brackets for Ball Screws

Block Type

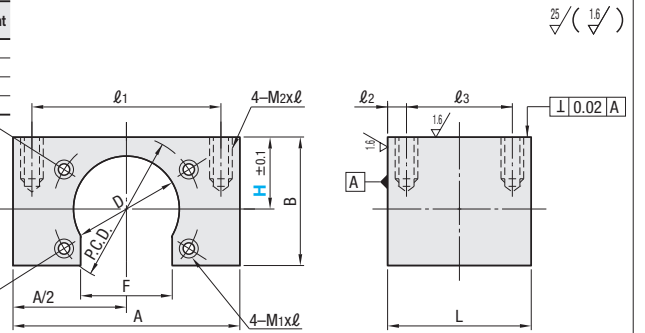
There are a lineup of variations that match the nut sizes of the MISUMI ball screws.

Brackets for Ball Screws



RoHS 10

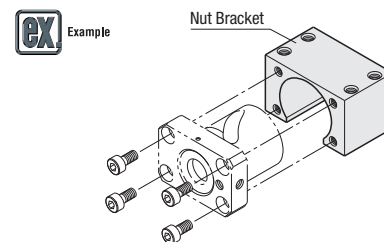
Type	Material	Surface Treatment
BNFB	EN 1.1191 Equiv.	Black Oxide
BNFM		Electroless Nickel Plating
BNFR	Aluminum Alloy 5000 series	LTBC Plating
BNFA		Clear Anodize



Part Number		H													MISUMI Ball Screw		
Type	No.	Selection													BSX (C3)	BSS (C5)	BS (C10)
		A	B	P.C.D.	K	M1xℓ	D	ℓ ₁	F	L	ℓ ₂	ℓ ₃	M2xℓ	0801	0802	0802	
801X	10 20	30	H+8	19	30	M3x5	12.4	24	8	16	3	10	M3x5	-	-	-	
802S	18 20 23 25	40	H+13	27	45	M4x7	20.4	30	14	28	8			0802	0802	-	
802C	17 20 23 25	40	H+10	24	30	M3x5	16.4	12						-	-	0802	
802R	17 20 23 25 28 30	43	H+12	30	0	M4x7	20.4	34	17	24	6			-	-	0802	
804R	17 20 23 25 28 30	50	H+13.5	33	30	M3x5								-	-	0804	
1002R	17 20 23 25 28 30	50	H+13.5	33	30	M3x5		23.4	42	16				-	-	1002	
1002X	17 20 23 25 28 30	43	H+15.5	31	45						26	7		-	-	-	
1002S	17 20 23 25 28 30 35 40	52	H+14	36							24	6	16	-	-	1002	
1004S	20 23 25 28 30 35 40	52	H+14	36							26.4	42	22	32	10	16	-
1004C	17 20 23 25 28 30 35 40	50	H+13	31							22.4	40	18	-	-	1004	
1004R	17 20 23 25 28 30 35 40	50	H+13	31							26.4	40	18	-	-	1004	
1010R	17 20 23 25 28 30 35 40	52	H+15	36	30	M4x7					22	27	6	15	-	-	1010
1010S	17 20 23 25 28 30 35 40	52	H+15	36							28.4	42	23	-	-	1010	
1202S	20 23 25 28 30 35 40	50	H+17	33							25.4	28	8	14	-	-	1202
1204S	23 25 28 30 35 40	50	H+20.5	41	45	M5x7					30.4	40	15	28	7	20	-
1204C	20 23 25 28 30 35 40	52	H+14	33							24.4	42	20	27	6	15	-
1204R	20 23 25 28 30 35 40	52	H+15	33							29	7	15	-	-	1204	
1205S	20 23 25 28 30 35 40		H+15	40							36	8		-	-	1205	
1210S	20 23 25 28 30 35 40	60	H+16	41							40	10		-	-	1210	
1405R	20 23 25 28 30 35 40		H+16	40							40	10		-	-	1405	
1505C	20 23 25 28 30 35 40 45		H+17	42							34	7	20	-	-	1505	
1505R	20 23 25 28 30 35 40 45		H+17	44							34	7	20	-	-	1505	
1505S	20 23 25 28 30 35 40 45		H+17	45							34	7	20	-	-	1505	
1510S	20 23 25 28 30 35 40 45	62	H+17	42	30	M5x7					42	11		-	-	1510	
1510C	20 23 25 28 30 35 40 45		H+17	45							34.4	52	28	38	8	24	-
1510R	20 23 25 28 30 35 40 45		H+17	42	30	M5x7					34.4	52	28	38	8	24	-
1520S	23 25 28 30 35 40 45		H+19	49							44	30		-	-	1520	
2005C	25 28 30 35 40 45	72	H+19	49							40	50	26	40		20	-
2010C	25 28 30 35 40 45		H+19	49							50	30		-	-	2005	
2005S	25 28 30 35 40 45	76	H+20	53							55	35	10	-	-	2010	
2005R	25 28 30 35 40 45		H+20	53							55	35	10	-	-	2005	
2020R	25 28 30 35 40 45	68	H+19.5	50							64	34	40	-	-	2020	
2505C	28 30 35 40 45 55		H+24	53							42.4	64	32	40	20		2505
2505R	28 30 35 40 45 55		H+21	55							46.4	62	38	60	40		2505
2010S	28 30 35 40 45 55		H+23	59							46.4	70	40	55	35		2010/2020
2525R	28 30 35 40 45 55	82	H+23	60							70	40	90	70			2525
2505S	30 35 40 45 55	76	H+28.5	76	45	M6x10					64	32	40	40			2505
2010R	35 40 45 55	84	H+26	67							72	46	60	40			2010
2510S	35 40 45 55	94	H+26	68							80	44	55	35			2510/2520
2510R	35 40 45 55	100	H+30	78	30	M8x12					60.4	86	54	60	40		2510
2806R	35 40 45 55	87	H+26	65							50.4	75	42	60			2806
3232R	35 40 45 55	106	H+30	74							58.4	86	50	75	55		3232
3210R	40 45 55	116	H+33	85							67.4	96	58	80	60		3210

No. 802R has 2 holes. No. □□□□ C is for C10 Rolled Ball Screws Compact Type.

Ordering Example
Part Number
BNFB802S - H 20



No.	Unit Price				No.	Unit Price			
	BNFB	BNFM	BNFR	BNFA		BNFB	BNFM	BNFR	BNFA
801X					1505C				
802S					1505R				
802C					1505S				
802R					1510S				
804R					1510C				
1002R					1510R				
1002X					1520S				
1002S					2005C				
1004S					2010C				
1004C					2005S				
1004R					2005R				
1010R					2020R				
1010S					2505C				
1202S					2505R				
1204S					2010S				
1204C					2525R				
1204R					2505S				
1205S					2010R				
1405R					2510S				
					2510R				
					2806R				
					3232R				
					3210R				