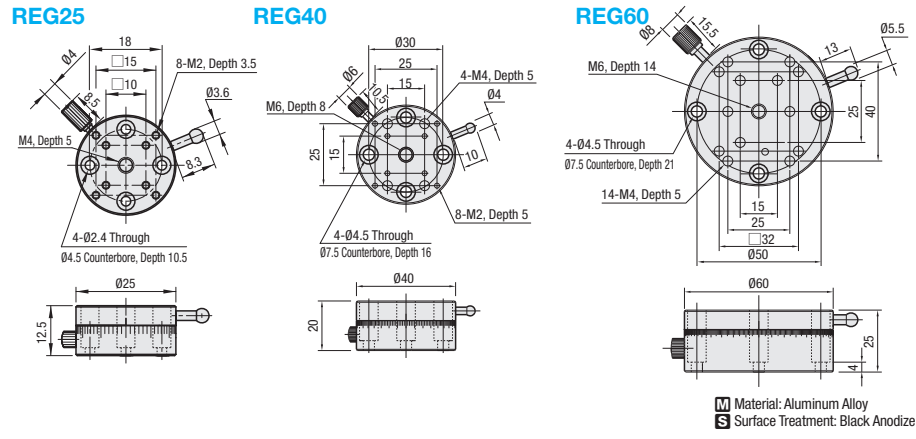


[High Precision] Rotary Stages

Coarse Feed / Feed Screw

■ Features: Suitable for large angle positioning applications such as LED lighting and sensor positioning.

Rotary Stages, Coarse Feed



RoHS 10

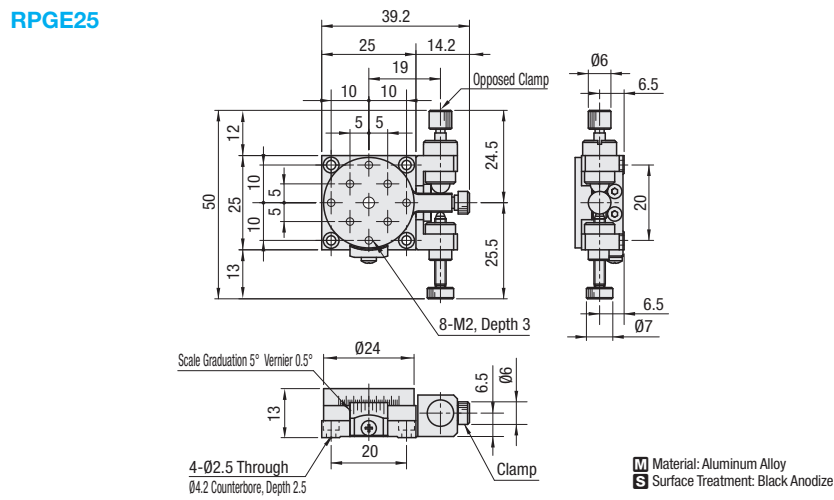
Part Number Type	Stage Surface (mm) No.	Travel Distance	Resolution	Load Capacity (N)		Eccentricity (mm)	Weight (kg)	Accessory (4 pcs.) Type M-L	Unit Price		
				Horizontal	Vertical						
REG	25	Ø25	Coarse 360°	5°	29.4	9.8	0.02	SCB2-5			
	40	Ø40		2°	49.0	16.3				0.06	SCB4-8
	60	Ø60		1°	68.6	22.8					

⊗ REG25 can not be combined with other stages.
 ⊕ XWG (P.1904), XYWG (P.1939), ZWG (P.1954), XLWG (P.1908), ZLWG (P.1956 (REG60 requires XPL60 on P.1915)).



■ Features: Small Ø24 diameter rotary stage capable of fine screw feeds.

Rotary Stages, Feed Screw



RoHS 10

Part Number Type	Stage Surface (mm) No.	Travel Distance	Resolution Vernier	Load Capacity (N)		Eccentricity (mm)	Weight (kg)	Accessory (4 pcs.) Type M-L	Unit Price
				Horizontal	Vertical				
RPGE	25	Ø24	Coarse 360° Fine Feed ±3°	0.5°	9.8	0.05	0.03	SCB2-6	



Alteration	Feed Knob Position Change
Spec.	Side Mount - Right/Left Reversed
Code	NR

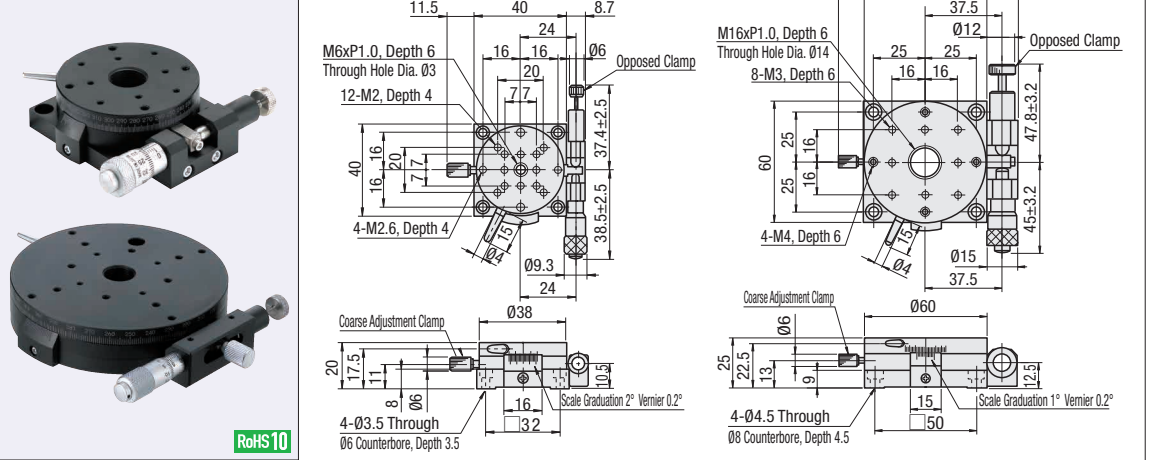


[High Precision] Rotary Stages

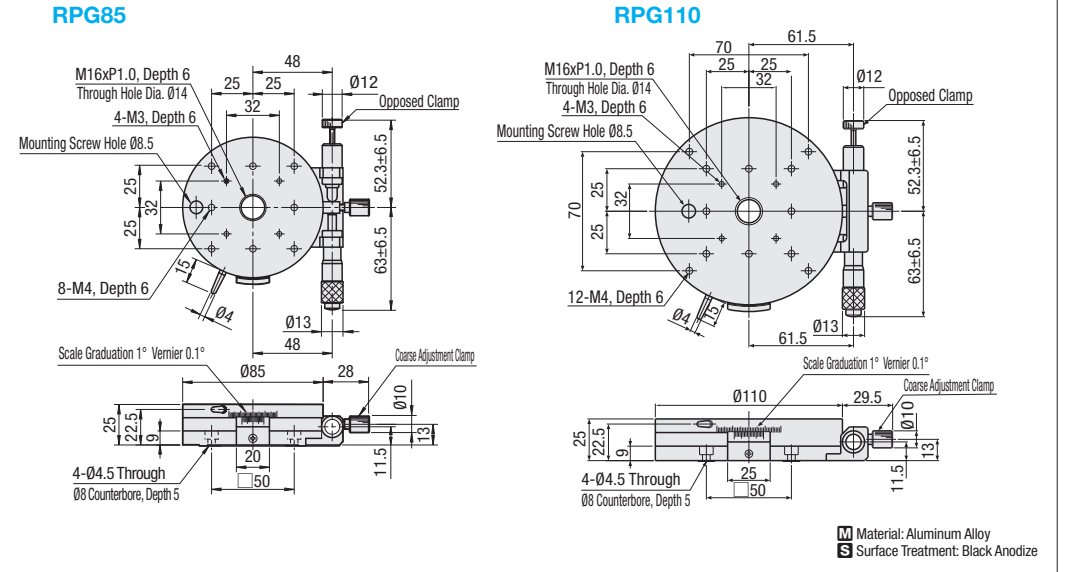
Micrometer Head

■ Features: Micrometer equipped rotary stages capable of fine feeds.

Rotary Stages, Micrometer Head



RoHS 10



⊕ Standard Stage Similar Products: RTRS (P.1979), RTRM (P.1979) (available for limited sizes only).

Part Number Type	Stage Surface (mm) No.	Travel Distance	Resolution Vernier	Resolution		Load Capacity (N) Horizontal	Moment Load Capacity (N, m)	Moment Rigidity (°/N, cm)	Eccentricity (mm)	Weight (kg)	Accessory (4 pcs.) Type M-L	Unit Price
				Micrometer	Vernier							
RPG	38	Ø38	Coarse 360°	0.2°	≈126"/Scale Graduation	9.8	0.3	3.56	0.05	0.09	SCB3-8	
	60	Ø60			≈55"/Scale Graduation	29.4	0.7	0.41		0.28	SCB4-10	
	85	Ø85	Fine Feed ±5°	0.1°	≈43"/Scale Graduation	39.2	1.2	0.22		0.48	SCB4-8	
	110	Ø110			≈34"/Scale Graduation	49.0	1.5	0.17		0.75	SCB4-8	

⊕ Knob Cover HDCVR13 (Sold Separately): Ø13 micrometer knob can be increased in diameter by installing the cover. P.2004
 ⊕ Extension Cover HDEXT13 (Sold Separately): Ø13 micrometer head knob can be extended. P.2004
 ⊕ Coarse Clamps and Opposed Clamps are available for sale as special order items. Contact our customer service.



Alteration	Micrometer Position
Spec.	Side Mount - Right/Left Reversed
Code	NR



⊕ Mounting dimensions of micrometer head and clamp are different from those of standard products. See the CAD data for details.