

Posts for Stands

Square Bars, Square Tubes - Length Configurable with Scale

■ Features: Use in sets with Stand-Up Brackets and Strut Clamps can prevent sensors and cameras from rotating during setup changes. (Stand-Up Brackets P.2160, Strut Clamps P.2181, 2182)

■ Square Bars, Square Tubes

Type	Material
STNQ (Solid)	EN 1.4301 Equiv.
STAQ (Hollow)	EN 1.4301 Equiv.

RoHS 10

Part Number	Type	D	L 1mm Increment	(d)	Unit Price		
					STNQ	STAQ	
					L40~200	L201~400	L401~800
STNQ STAQ	10	0	40~600	8			
	12	-0.1	40~600	10			
	15	-0.1	40~600	13			
	20	0	40~800	17.6			
	25	-0.12	40~800	22.6			

Ordering Example

Part Number - L

STNQ12 - 200

STAQ20 - 300

* D10 ~ 15 are available up to L600.

■ Features: Square Tubes with a scale (w/o numbers), length can be specified in 1mm increments.

■ Square Tubes Length Configurable with Scale

Type	Material
FGSTAQ	EN 1.4301 Equiv.

RoHS 10

⚠ If wiped with volatile oil, the prints may fade.

⚠ Scale is without numbers.

⚠ Use the scale as a reference.

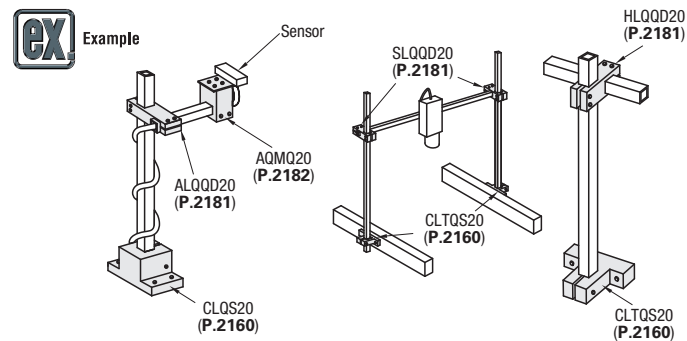
Part Number	Type	D	L 1mm Increment	(d)	Unit Price		
					L40~200	L201~400	L401~800
FGSTAQ	10	0	40~600	8			
	12	-0.1	40~600	10			
	15	-0.1	40~600	13			
	20	0	40~800	17.6			
	25	-0.12	40~800	22.6			

* D10 ~ 15 are available up to L600.

Ordering Example

Part Number - L

FGSTAQ15 - 200



Stand-Up Brackets - Square Hole

Standard / Side Mounting Holes

■ Features: By using in sets with Square Tubes and Strut Clamps, sensors and cameras can be prevented from rotating during setup changes. ⚠ Accessory: For Posts for Stands used in sets, refer to P.2159

■ Standard

Type	Material	Surface Treatment	Accessory
CLQB	EN 1.0038 Equiv.	Black Oxide	Hex Socket Head Cap Screw
CLQNM	EN 1.0038 Equiv.	Electroless Nickel Plating	Hex Socket Head Cap Screw (Stainless Steel)
CLQBM	EN AW-6061 Equiv.	Black Anodize	Hex Socket Head Cap Screw
CLQAM	EN AW-6061 Equiv.	Clear Anodize	Hex Socket Head Cap Screw (Stainless Steel)
CLQS	EN 1.4301 Equiv.	-	Hex Socket Head Cap Screw (Stainless Steel)

RoHS 10

⚠ Accessory: CB screws (P.2-171) are included with black oxide/black anodized products, and SCB screws (P.2-173) are included with the other products, respectively.

Part Number	Type	D ₈	A	B	L	T	E	F	G	b	C	H	d	d ₁	Z	MA	h	Unit Price				
																		CLQB	CLQNM	CLQBM	CLQAM	CLQS
CLQB CLQNM CLQBM CLQAM CLQS	10	+0.077	38	24	24	7	20	30	14	4.5	17.5	15	4.5	8	4.5	M4	10					
	12	+0.050	48	32	36	9	26	38	20	5.5	24	19	5.5	9.5	5.5	M5	12					
	15	+0.098	52	36	40	10	30	42	24	6.5	26.5	21	6.5	11	6.5	M6	13					
	20	+0.065	62	45	48	12	35	48	28	6.5	32	28	6.5	11	6.5	M6	15					
	25	+0.065	62	45	48	12	35	48	28	6.5	32	28	6.5	11	6.5	M6	15					

⚠ The tolerance and perpendicularity of D₈ are before slitting.
⚠ Recommended Tolerances of mating shafts: 0 ~ -0.12. For Stand for Posts, see P.2159. Tightening with a long wrench is recommended.

■ Side Mounting Holes

Type	Material	Surface Treatment	Accessory
CLTQB	EN 1.0038 Equiv.	Black Oxide	Hex Socket Head Cap Screw
CLTQNM	EN 1.0038 Equiv.	Electroless Nickel Plating	Hex Socket Head Cap Screw (Stainless Steel)
CLTQBM	EN AW-6061 Equiv.	Black Anodize	Hex Socket Head Cap Screw
CLTQAM	EN AW-6061 Equiv.	Clear Anodize	Hex Socket Head Cap Screw (Stainless Steel)
CLTQS	EN 1.4301 Equiv.	-	Hex Socket Head Cap Screw (Stainless Steel)

RoHS 10

⚠ Accessory: CB screws (P.2-171) are included with black oxide/black anodized products, and SCB screws (P.2-173) are included with the other products, respectively.

Part Number	Type	D ₈	A	B	L	T	F	K	h	H	E	d	d ₁	Z	MA	h	Unit Price				
																	CLTQB	CLTQNM	CLTQBM	CLTQAM	CLTQS
CLTQB CLTQNM CLTQBM CLTQAM CLTQS	10	+0.077	38	11	29	7	30	4.5	14	10	20	4.5	8	4.5	M4	10					
	12	+0.050	48	15	36	9	38	5.5	18	13	26	5.5	9.5	5.5	M5	12					
	15	+0.098	52	20	40	10.5	42	6.5	19	16	30	6.5	11	6.5	M6	13					
	20	+0.065	73	24	54	12	54	6.5	25	20	35	6.5	11	6.5	M6	15					
	25	+0.065	73	24	54	12	54	6.5	25	20	35	6.5	11	6.5	M6	15					

⚠ The tolerance and perpendicularity of D₈ are before slitting.
⚠ Recommended Tolerances of mating shafts: 0 ~ -0.12. For Stand for Posts, see P.2159. Tightening with a long wrench is recommended.

Ordering Example

Part Number

CLQBM15
CLTQS20

