


Hex Socket Set Screws

Cup Point/Flat End/Cone Point (Available in Single item)

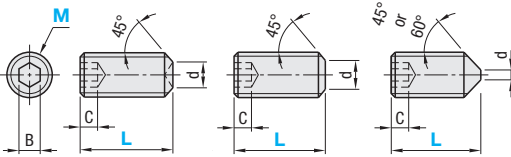
MSSF, MSSFS, MSSK and MSSU can be ordered in cost-saving boxes. P209, 210



MSSK
MSSU (Stainless Steel)

MSSF
MSSFS (Stainless Steel)

MSST
MSSTS (Stainless Steel)



* For MSST/MSSTS (Cone Point), M=L and the specifications in the below table are 60°.

Type	Material	Hardness	Surface Treatment
MSSK	EN 1.7220	45HRC~	Black Oxide
MSSF	EN 1.7220 Equiv.		
MSST	EN 1.4301		
MSSU	EN 1.4301 Equiv.		
MSSFS			
MSSTS			

MxP (Coarse)	B	C (Min.)	d (Max.)		
			Flat End	Cone Point	Cup Point
2x0.4	0.9	0.8	1	0.8	1
2.6x0.45	1.3	1.2	1.5	1.2	1.2
3x0.5	1.5	1.2	2	0.75	1.4
4x0.7	2	1.5	2.5	1	2
5x0.8	2.5	2	3.5	1.25	2.5
6x1.0	3	2	4	1.5	3
8x1.25	4	3	5.5	2	5
10x1.5	5	4	7	2.5	6
12x1.75	6	4.8	8.5	3	8


Part Number	MSSK (Cup Point)		MSSF (Flat End)		MSST (Cone Point)		MSSU (Cup Point)		MSSFS (Flat End)		MSSTS (Cone Point)			
	Unit Price	Volume Discount Rate	Unit Price	Volume Discount Rate	Unit Price	Volume Discount Rate	Unit Price	Volume Discount Rate	Unit Price	Volume Discount Rate	Unit Price	Volume Discount Rate		
Type	M	L	1 - 9 pcs	10 - 199 pcs	200 - 500 pcs	1 - 9 pcs	10 - 199 pcs	200 - 500 pcs	1 - 9 pcs	10 - 199 pcs	200 - 500 pcs	1 - 9 pcs	10 - 199 pcs	200 - 500 pcs
2 -	2	2												
2.6 -	3	3												
3 -	2.5	2.5												
4 -	3	3												
5 -	4	4												
6 -	5	5												
8 -	6	6												
10 -	8	8												
12 -	10	10												
15 -	12	12												
16 -	15	15												
20 -	20	20												
25 -	25	25												
30 -	30	30												
30 -	30	30												

MSSK
MSSF
MSST
(Stainless Steel)
MSSU
MSSFS
MSSTS

Hex Socket Set Screws / Hex Socket Cap Screws / Crush Pads

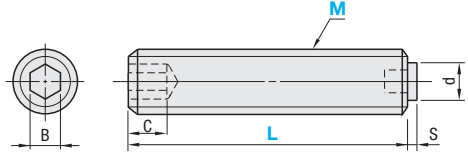
Soft Tips / Head Cap Screws

Hex Socket Set Screws Soft Tips



RoHS 10

Type	Thread's Material	Surface Treatment	Pad Material
SBPP	EN 1.7220	Black Oxide	Polyacetal (White)
SBPF	EN 1.7220 Equiv.		Free-cutting Brass (EN CW614N Equiv.)
SBCT	EN 1.7220 Equiv.		Urethane (Shore A70, Black)
SBPPS	EN 1.4301		Polyacetal (White)
SBPFS	EN 1.4301 Equiv.		Free-cutting Brass (EN CW614N Equiv.)
SBCTS	EN 1.4301 Equiv.		Urethane (Shore A70, Black)




Part Number	Type	M (Coarse)	L										S	d	B	C (Min.)
			Ⓢ Dimensions in () are only applicable to SBPP and SBCT.													
SBPP	SBPF	3	5	6	8	10	12	16	20	0.5	1.5	1.5	2.0			
SBPPS	SBPFS	4	6	8	10	12	16	20	1	2	2	2.5				
SBPP	SBCT	5	8	10	12	16	20	25	1	3	2.5	3.0				
SBPPS	SBCTS	6	8	10	12	16	20	25	30	40	50	1	4	3	3.5	
SBCT		8	10	12	16	20	25	30	40	50	(60)	2	6	4	5.0	
SBCTS		10	12	16	20	25	30	40	50	(60)	(80)	2	8	5	6.0	
		12	16	20	25	30	40	50	(60)	(80)	(100)	2	10	6	8.0	

M (Coarse)	Unit Price					
	SBPP	SBCT	SBPPS	SBPFS	SBCTS	SBPFS
3						
4						
5						
6						
8						
10						
12						

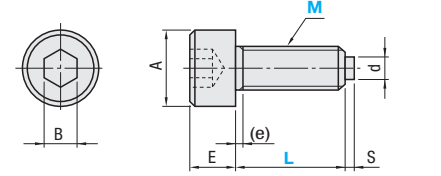
Ordering Example
Part Number - L
SBPP10 - 50

Hex Socket Set Screws Head Cap Screws




RoHS 10

Type	Material Thread	Surface Treatment	Material Pad
CBPP	EN 1.7220	Black Oxide	Polyacetal (White)
CBPFS	EN 1.7220 Equiv.		Free-cutting Brass (EN CW614N Equiv.)
CBPPS	EN 1.4301		Polyacetal (White)
CBPFS	EN 1.4301 Equiv.		Free-cutting Brass (EN CW614N Equiv.)



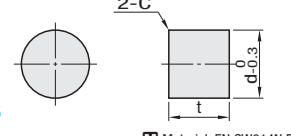
Part Number	Type	M (Coarse)	L	A	E	S	d	B	(e)	CBPP		CBPFS		CBPPS		CBPFS	
										Unit Price	Volume Discount Rate	Unit Price	Volume Discount Rate	Unit Price	Volume Discount Rate	Unit Price	Volume Discount Rate
CBPP	(Plastic Pad)	3	10 15 20	5.5	3	0.5	1.5	2.5	0.5	1 ~ 99 pc(s)	100 - 500 pcs	1 ~ 99 pc(s)	100 - 500 pcs	1 ~ 99 pc(s)	100 - 500 pcs	1 ~ 99 pc(s)	100 - 500 pcs
CBPFS		4	10 15 20	7	4	1	2	3	0.6								
CBPPS		5	15 20 30	8.5	5	1	3	4	0.6								
CBPFS	(Brass Pad)	6	15 20 30	10	6	1	4	5	0.7								
CBPFS		8	20 30 40	13	8	2	6	6	1.0								

Crush Pads



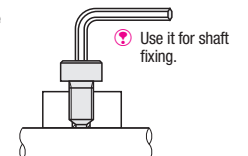
50 pcs. per Pkg.

SEPN
SEPNs (Thin)
(50 pcs. per Pkg.)
PPACK-SEPN
PPACK-SEPNs



Material: EN CW614N Equiv.

EX Example



Use it for shaft fixing.

Part Number	Type	Applicable M	d	t		C	Unit Price 1 to 100 (Single item)	PPACK-SEPN, PPACK-SEPNs	
				SEPN	SEPNs			Unit Price	Volume Discount Rate
SEPN		*3	2.2	2.0	0.5	*0.2			
SEPNs		*4	3.0	2.5					
PPACK-SEPN		*5	3.9	3.0					
PPACK-SEPNs		*6	4.7	3.5	1.0				
		8	6.4	4.5	-				
		10	8.2	5.5	-	*0.3			
		12	9.9	6.5	-				

* SEPNs is available only in M3 through M6. * For SEPNs, C<0.1 * PPACK-SEPNs is available only in M3 through M6.
 * When placing an order for PPACK-SEPN or PPACK-SEPNs, please specify number of packages. 1 package to be delivered includes 50 pieces.

Ordering Example
Part Number
CBPP3-10
SEPN5
PPACK-SEPN4

Ordering Example
Part Number
MSSF5 -10