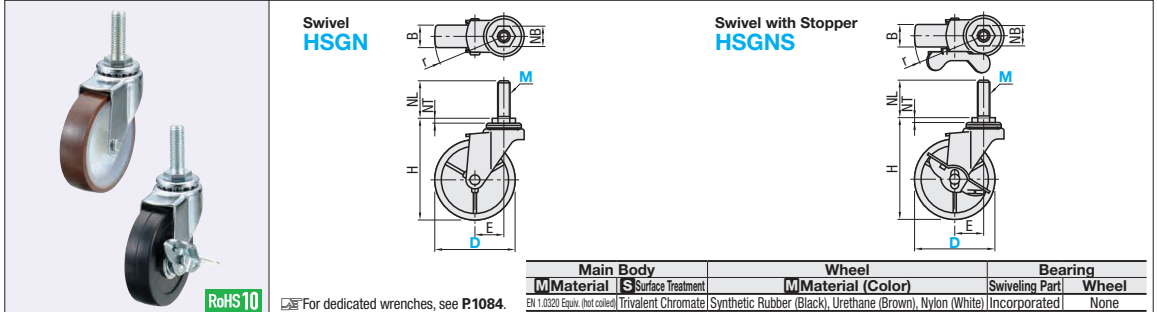


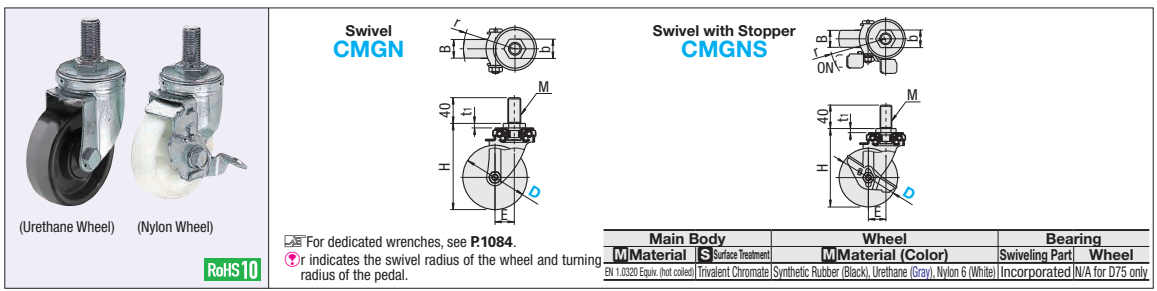
Screw-In Casters

Light / Medium Load



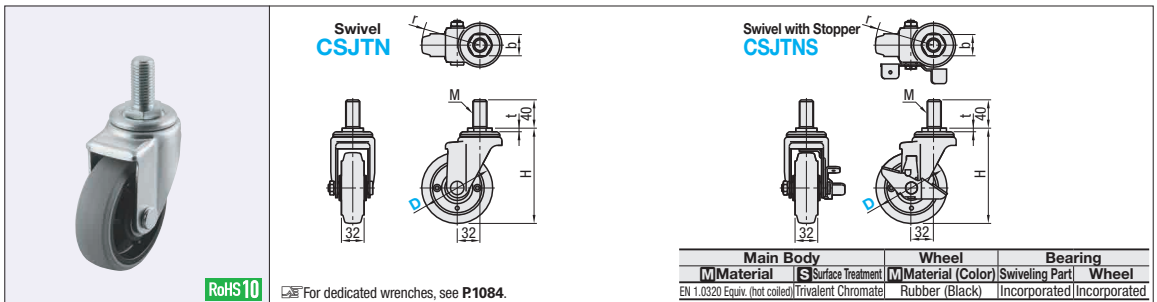
Main Body	Part Number Type	D	M (Coarse)	Wheel Material	Wheel Width B				H	E	NB	NT	NL	r	Allowable Load (N)			Mass (g)			Unit Price					
					R	U	N	R							U	N	R	U	N	R	U	N				
Swivel Screw-In	HSGN	50	8	R	68	20	21	21	22	14	14	35	47	300	380	400	195	175	165							
		65	12	U	85	21	21	21	23	19	19	35	56	400	400	270	220	210								
		75	12	N	95	21	21	21	27			40	65	400	450	500	310	240	225							
Swivel Screw-In with Stopper	HSGNS	50	8	R	68	20	21	21	22	14	14	35	49	300	380	400	220	200	190							
		65	12	U	85	21	21	21	23	19	19	35	57	300	400	305	255	235								
		75	12	N	95	21	21	21	27			40	65	400	450	500	340	275	250							
		100	12	N	126	25	28	25	31	23	4	40	82	500	600	600	585	435	405							

Ordering Example: Part Number **HSGN75** - **12** - **U**



Main Body	Part Number Type	D	M (Coarse)	Wheel Material	Wheel Width B				H	E	NB	NT	NL	r	Allowable Load (N)			Mass (g)			Unit Price			
					R	U	N	R							U	N	R	U	N	R	U	N		
Screw-In	CMGN	75	12	R	25	-	25	97	16	23	4	25	63	600	-	800	476	-	390					
		100	12	U	32	30	29	134	20	30	7	30	80	1200	1200	1200	1026	1474	1000					
Swivel Screw-In with Stopper	CMGNS	75	12	R	25	-	25	97	16	23	4	25	72	600	-	800	523	-	445					
		100	12	N	32	30	29	134	20	30	7	30	98	1200	1200	1200	1133	1690	1100					

Ordering Example: Part Number **CMGN75** - **R**



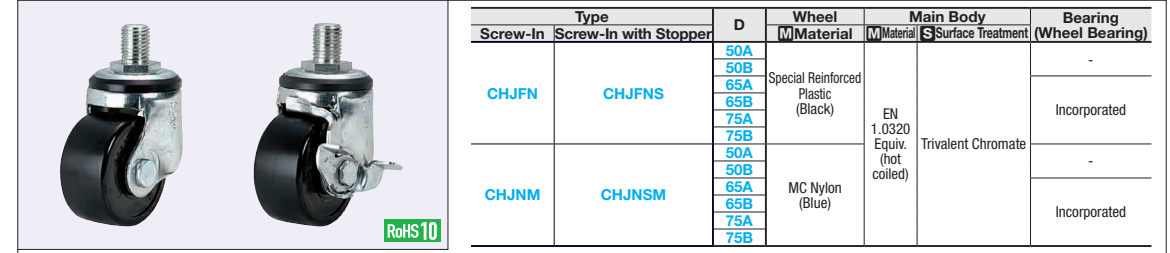
Main Body	Part Number Type	D	M (Coarse)	Wheel Material	H	b	t	r	Allowable Load (N)		Mass (g)	Unit Price	
									R	U			
Swivel Screw-In	CSJTN	100A	12	R	134	16	23	4.7	82	1200	880		
													100B
													125A
													125B
Swivel Screw-In with Stopper	CSJTNS	100A	12	R	134	16	23	4.7	86	1200	965		
													100B
													125A
													125B

Ordering Example: Part Number **CSJTN100B** - **R**

Screw-In Casters / Side Mount Brackets for Casters / Dedicated Wrenches for Screw-In Casters

Low Profile

Features: Low installation height with low gravity center that allows users to use them for conveying heavy objects.

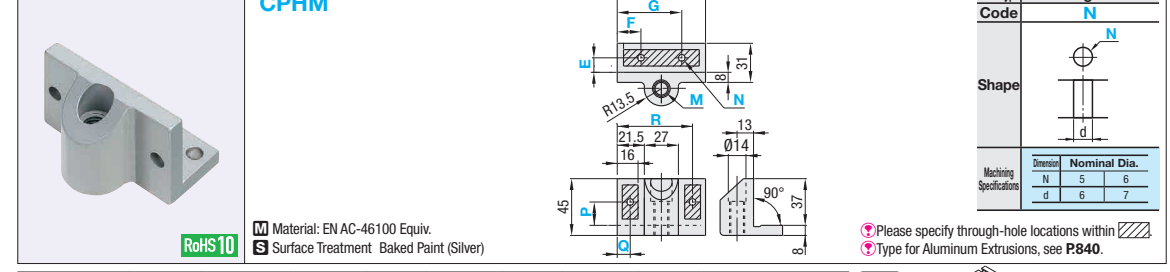


Main Body	Part Number Type	D	M (Coarse)	Wheel Material	H	B	b	t	E	r	Allowable Load (N)		Mass (g)	Unit Price	
											Plastic	MC Nylon		CHJFN / CHJFNS (Plastic)	CHJNM / CHJNSM (MC Nylon)
Swivel Screw-In	CHJFN (Plastic) CHJNM (MC Nylon)	40	12	R	16	74	28	23	7.9	25	51	1000	1000	390	
												1500	1500	430	
												1600	1600	620	
												1600	1600	650	
												1600	1600	760	
												1600	1600	790	
Swivel Screw-In with Stopper	CHJFNS (Plastic) CHJNSM (MC Nylon)	80	12	R	16	74	28	23	7.9	25	65	1000	1000	430	
												1500	1500	470	
												1500	1500	680	
												1600	1600	710	
												1600	1600	830	
												1600	1600	860	

Main Body	Part Number Type	D	M (Coarse)	H	B	b	t	E	r	Allowable Load (N)		Mass (g)	Unit Price	
										Plastic	MC Nylon		CHJFN / CHJFNS (Plastic)	CHJNM / CHJNSM (MC Nylon)
Swivel Screw-In	CHJFN (Plastic) CHJNM (MC Nylon)	40	12	R	16	74	28	23	7.9	25	51	1000	1000	390
												1500	1500	430
												1600	1600	620
												1600	1600	650
												1600	1600	760
												1600	1600	790
Swivel Screw-In with Stopper	CHJFNS (Plastic) CHJNSM (MC Nylon)	80	12	R	16	74	28	23	7.9	25	65	1000	1000	430
												1500	1500	470
												1500	1500	680
												1600	1600	710
												1600	1600	830
												1600	1600	860

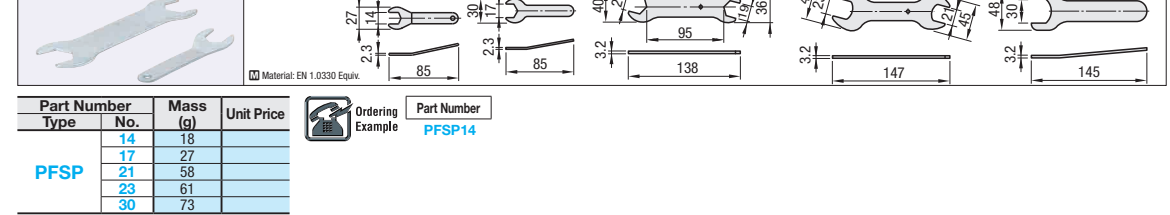
Ordering Example: Part Number **CHJNM65A** - **40**

Side Mount Brackets for Casters



Part Number Type	N (Through Hole) Selection	Drilling Position 0.5mm Increment					Mass (g)	Unit Price			
		E	F	G	P	Q					
CPHM	10	5	6	8-15	8-28	42-62	8-29	7-13	57-63	135	
	12	5	6	8-15	8-28	42-62	8-29	7-13	57-63	135	

Dedicated Wrenches for Screw-In Casters



Part Number Type	Mass (g)	Unit Price
14	18	
17	27	
21	58	
23	61	
30	73	