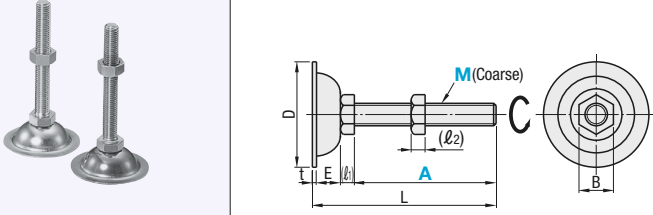


Leveling Mount

Standard



NFJN
NFJNS
NFJNF (Stainless Steel)

M	D	(ℓ_1)	(ℓ_2)	E	B	t
5	30	3.5	4	5.4	8	1.6
6		4	5		10	
8	38	5.5	6.5	11	13	
10		7	8		17	
12	60	8	10	18	19	
16	75	10	13	20	24	2.0
20		13	16		30	

Type	M Material	S Surface Treatment
NFJN	EN 1.0038 Equiv.	Trivalent Chromate
NFJNF	EN 1.0038 Equiv.	Trivalent Chromate
NFJNS	EN 1.4301 Equiv.	Electrolytic Polishing

RoHS

Screw shafts can turn independently of a base and can tilt 3 to 5 degrees.

A Selectable

Part Number	M-A	L	Allowable Vertical Load (kN)	Mass (g)	Unit Price	
					NFJN / NFJNS	NFJN
5 - 30		40.5	1.5	15		
5 - 60		70.5		19		
6 - 40		51	2.1	21		
6 - 80		91		28		
8 - 50		68.1	3.9	50		
8 - 100		118.1		65		
10 - 75		94.6	4.3	88		
10 - 100		119.6		100		
12 - 50		78		142		
12 - 75		103		166		
12 - 100		128	4.9	184		
12 - 125		153		200		
12 - 150		178		219		
16 - 75		107		287		
16 - 100		132	5.9	317		
16 - 130		162		356		
16 - 150		182		383		
16 - 180		212		422		
20 - 100		135	8.8	493		
20 - 130		163		557		
20 - 150		183		605		
20 - 180		213		671		

A configurable in 10mm Increment

Part Number	M	A 10mm Increment	L	Unit Price
10		80~200	A+19.6	
12		80~250	A+28	
16		80~300	A+32	
20		110~300	A+35	

Tips of screws are painted.

Ordering Example

Part Number - A

NFJN12-100 - 80

NFJNF10 - 80

Alterations

Part Number - (WC, WK, SC, WN)

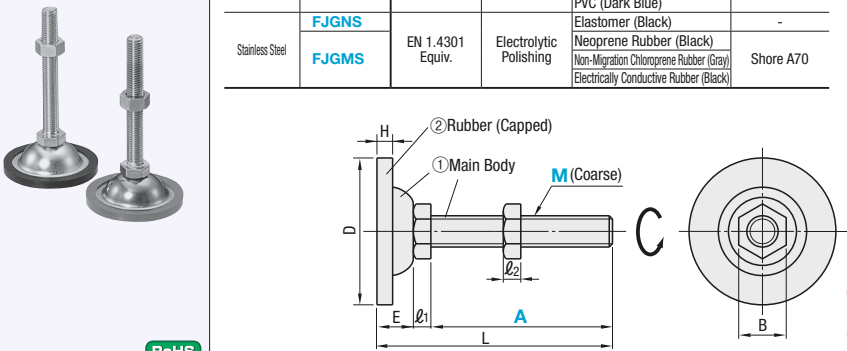
NFJN16-75 - WC

For NFJN only. No plating on alteration-applied sections. For alterations for 31 or more pieces, please request a quotation.

Alterations	Square Flats	Hex Flats	Wrench Flats	Hex Wrench Socket Machining
Code	WC	WK	SC	WN
Spec.	Ordering Code WC Applicable when 20≥M≥10	Ordering Code WK Applicable when 20≥M≥10	Ordering Code SC Applicable when 20≥M≥10	Ordering Code WN Applicable when 20≥M≥10
	M WC ℓ	M WK ℓ	M W ℓ_1 SC	M WN ℓ
	10 6 10	10 6 10	10 8 8	10 4 5
	12 8 10	12 8 10	12 10 10	12 5 6
	16 10 12	16 10 12	16 13 10	16 5 6
	20 12 13.5	20 13 10	20 17 10	20 8 8

Leveling Mount

Non-Slip



Main Body	Type	① Main Body		② Rubber		M	D	ℓ_1	ℓ_2	E	B	H
		M Material	S Surface Treatment	M Material (Color)	H Hardness							
Steel Type	FJGN	EN 1.0038 Equiv.	Trivalent Chromate	Elastomer (Black)	-	8	45	5.5	6.5	15	13	6
	FJGM			Neoprene Rubber (Black)	-	10	7	8	17	6		
				Non-Migration Chloroprene Rubber (Grey)	Shore A70	12	8	10	23	19	7	
				Electrically Conductive Rubber (Black)	-	16	10	13	24	24	8	
				PVC (Dark Blue)	-	20	13	16	25	30		
Stainless Steel	FJGNS	EN 1.4301 Equiv.	Electrolytic Polishing	Elastomer (Black)	-							
	FJGMS			Neoprene Rubber (Black)	Shore A70							

RoHS

Electrically Conductive Rubber Specific Volume Resistivity $10^2 \sim 10^4 \Omega \cdot \text{cm}$

Screw shaft turns independently of the base and tilts slightly.

Part Number	FJGM / FJGMS	L	Allowable Vertical Load (kN)	Mass (g)	Unit Price								
					Rubber Material	FJGN	FJGM				FJGNS	FJGMS	
Type	M-A					R	C	D	S		R	C	D
8- 50		70.5	3.9	50					-				
8-100		120.5		70					-				
10- 75		97	4.3	91					-				
10-100		122		103					-				
12- 75		106	4.9	178					-				
12-100*		131		196									
12-125*		156		212									
12-150		181		231					-				
16- 75		110	5.9	301					-				
16-100*		135		331									
16-130*		165		370									
16-150		185		397					-				
16-180*		215	6.8	436									
20-100*		138		148					-				
20-130*		168		173									
20-150		188		194									
20-180*		218		220									

You cannot select the rubber material for FJGN and FJGNS. (Elastomer is used.) * PVC rubber applicable sizes

Ordering Example

Part Number - Rubber Material

FJGM16 - 75 - R