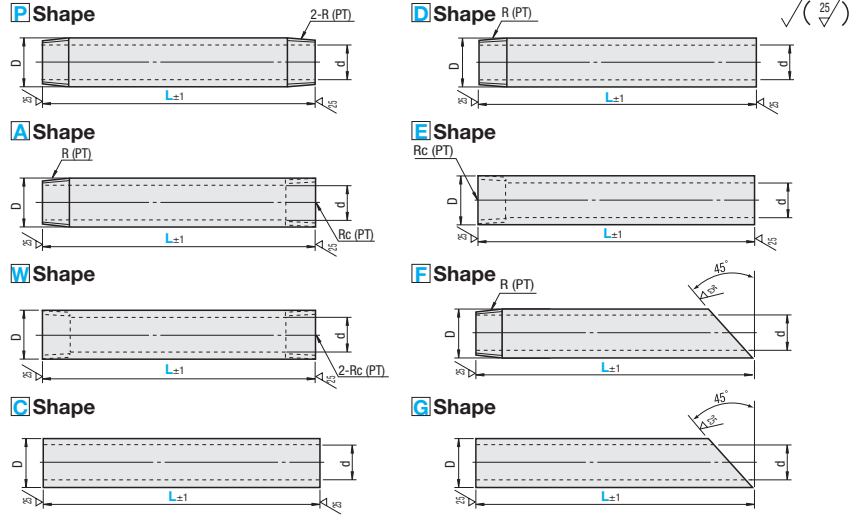


Steel Pipe



Part Number	Material	Standards	Application	Surface Treatment
SGG	EN 1.0035 Equiv.	JIS G3452	Pneumatic Pipes for Low Operating Pressure Steam/Water/Gas	-
SGP	EN 1.0035 Equiv.	JIS G3442	Pipes for draining water, air conditioning, etc.	Zinc Plating
SUT	EN 1.4301 Equiv.	JIS G3459	Corrosion / Low Temperature / High Temperature Resistant Pipes	-
SUTS	EN 1.4401 Equiv.	JIS G3459	Corrosion / Low Temperature / High Temperature Resistant Pipes	-
STPG	EN 1.0254 Equiv.(Sch40)	JIS G3454	Pressure pipes to be used under	-
SGHP	EN 1.0254 Equiv.(Sch80)	JIS G3454	Pressure pipes to be used under	-

* No surface treatment on male thread portion of EN 1.0035 Equiv.
 * Male threads are covered with sealing tape before shipping.
 * Excessive tightening may deform the female thread portion. Wrap with sealing tape for air tightness, hand tighten first, and then final tighten by giving approx. one more rotation.
 * Marks may be left on the surface when tightening screws.



L Fixed (Shape C, Unpainted only)

Part Number	Type	No.	L	SGPPK		SUTPK		SGPPK		SUTPK	
				D	d	D	d	Unit Price	Volume Discount Rate	Unit Price	Volume Discount Rate
SGPPK (EN 1.0035 Equiv.)	6A	-	500	-	-	10.5	5.7	-	-	-	-
	8A	13.8		9.2	13.8	7.8	-	-	-	-	
	10A	17.3		12.7	17.3	10.9	-	-	-	-	
	15A	21.7		16.1	21.7	16.1	-	-	-	-	
SUTPK (EN 1.4301 Equiv.)	20A	27.2	21.6	27.2	21.4	-	-	-	-	-	
	25A	34.0	27.6	34.0	27.2	-	-	-	-	-	

For orders larger than indicated quantity, please check with WOS.

Ordering Example
 Part Number
SUTPK10A

L Configurable

Part Number	Type	Shape	No.	Paint Color Selection	L		R (PT)	JIS-SGG	EN 1.0035 Equiv.	SUT /SUTS	JIS-STPG	SGHP			
					1mm Increment	RC (PT)							D	d	D
SGG SGP SUT SUTS STPG SGHP	P A W C D E F G	Not specified (Unpainted)	6A	Not specified (Unpainted)	30-2000	1/8	10.5	6.5	-	-	10.5	5.7	10.5	5.7	
			8A		40-2000	1/4	13.8	9.2	13.8	7.8	13.8	9.4	13.8	7.8	
			10A		40 (43)-2000	3/8	17.3	12.7	17.3	12.7	17.3	12.7	17.3	10.9	
			15A		50 (55)-2000	1/2	21.7	16.1	21.7	16.1	21.7	16.1	21.7	14.3	
			20A		50 (65)-2000	3/4	27.2	21.6	27.2	21.6	27.2	21.4	27.2	19.4	
			25A		60 (75)-2000	1	34.0	27.6	34.0	27.6	34.0	27.2	34.0	25.0	
			32A		60 (80)-2000	1 1/4	42.7	35.7	42.7	35.7	42.7	35.5	42.7	32.9	
			40A		60 (90)-2000	1 1/2	48.6	41.6	48.6	41.6	48.6	41.2	48.6	38.4	
			40A		60 (150)-1500	2	60.5	52.9	60.5	52.9	60.5	52.7	-	-	-

L Dimensions in () are for Shape F and G. L Dimensions 1501 ~ 2000 are available for JIS-SGG, EN 1.0035 Equiv. and SUT only (Except No.50A).
 Painted pipes are available for No.6A ~ 25A (L dimension 1500 or less) of JIS-SGG, SUT, JIS-STPG and SGHP. Shape A, W and E are not available for No. 50A.

Ordering Example
 Part Number - Paint Color - L - (NS)
 SGGP8A - BR - 200
 SUTD15A - BR - 500 - NS

Alterations	Code	Spec.
No Sealing Tape	NS	Shipped without regular sealing tape on male threads.
Applicable to Shape P, A, D and F only.		

For wrench flats alteration (previous SC alteration), see P.1267.

Types of Paint Colors (Japan Paint Manufacturers' Association 1997 U No.): For Internal Fluid Identification
 • Thread portion is not painted. • Inner surface of pipes may not be painted.

White	Brown	Blue
UN-95 Approx. Munsell No. N9.5	U17-50L Approx. Munsell No. 7.5YR5/6	U72-50P Approx. Munsell No. 2.5PB5/8
Light Yellow	Dark Red	Black
U22-80L Approx. Munsell No. 2.5Y8/6	U07-30L Approx. Munsell No. 7.5R3/6	UN-10 Approx. Munsell No. N1

[Reference] Pipe Identification (JIS Z9102)

Material Types	Identification Color	Munsell Value (Reference)
Air	White	N9.5
Oil	Brown	7.5YR5/6
Water	Blue	2.5PB5/8
Gas	Light Yellow	2.5Y8/6
Steam	Dark Red	7.5R3/6

(* Since the color swatches are in print, they may show some shade variations.)

Unit Price (without Painting)

Part Number	Type	No.	Unit Price P-A-W-F Shape					Unit Price C Shape					Unit Price D-E-G Shape							
			Min. L ~ 250	L251-500	L501-750	L751-1000	L1001-1500	Min. L ~ 250	L251-500	L501-750	L751-1000	L1001-1500	Min. L ~ 250	L251-500	L501-750	L751-1000	L1001-1500	L1501-2000		
SGG	SGG	6A																		
		8A																		
		10A																		
		15A																		
		20A																		
		25A																		
SGP	SGP	6A																		
		8A																		
		10A																		
		15A																		
		20A																		
		25A																		
SUT	SUT	6A																		
		8A																		
		10A																		
		15A																		
		20A																		
		25A																		
SUTS	SUTS	6A																		
		8A																		
		10A																		
		15A																		
		20A																		
		25A																		
STPG	STPG	6A																		
		8A																		
		10A																		
		15A																		
		20A																		
		25A																		
SGHP	SGHP	6A																		
		8A																		
		10A																		
		15A																		
		20A																		
		25A																		

Painting Charge

JIS-SGG, JIS-STPG, SGHP

No.	Min. L ~ 250	Unit Price			
		L251-500	L501-750	L751-1000	L1001-1500
6A					
8A					
10A					
15A					
20A					
25A					

SUT (EN 1.4301 Equiv.)

No.	Min. L ~ 250	Unit Price			
		L251-500	L501-750	L751-1000	L1001-1500
6A					
8A					
10A					
15A					
20A					
25A					

For price of the painted pipes, painting charge will be added to the unit price of unpainted pipe. Painted Pipes are not available for L dimension 1501 ~ 2000.
 Volume discount rate is applicable to painting charge.

(Ex.) Part Number - Paint Color - L >> (Unit Price without Painting) + (Painting Charge) = (Unit Price with Painting)
 SUTP6A - R - 200